



2010 Cessna Citation XLS+ S/N 560-6058



2010 Cessna Citation XLS+ S/N 560-6058

HIGHLIGHTS

FULLY ENROLLED ON CESSNA PROADVANTAGE PROGRAMS (ENGINES, APU)



ADS-B EQUIPPED



AIRCELL ATG-4000 "GOGO" HIGH SPEED INTERNET WITH TALK AND TEXT



RECENT INSPECTION DOCUMENTS 1,2,5,9,44, AND 50 (SEPT-2017)

AIRFRAME

TOTAL TIME SINCE NEW	2,060 Hours (As of 12 September 2017)
TOTAL LANDINGS SINCE NEW	2,082 Landings
ENTRY INTO SERVICE DATE	10 August 2010
HOME BASE	Saint. Paul, MN
MAINTENANCE TRACKING	CESCOM
CERTIFICATION	Currently Operated FAR Part 91

ENGINES

	Left Engine	Right Engine
DESCRIPTION	Pratt & Whitney PW525C	
SERIAL NUMBER(S)	DF0130	DF0118
TOTAL HOURS SINCE NEW	1,532.5 Hours	2,060.0 Hours
TOTAL CYCLES SINCE NEW	1,571 Cycles	2,082 Cycles
PROGRAM COVERAGE	PowerAdvantage+	

APU

DESCRIPTION	Honeywell RE100(XL)
SERIAL NUMBER	P-858
APU TOTAL TIME SINCE NEW	1,368.9 Hours
PROGRAM COVERAGE	AuxAdvantage

2010 Cessna Citation XLS+ S/N 560-6058

AVIONICS

Type of Unit	Quantity	Description
EFIS (Electronic Flight Instrument System)	4-Tube	Rockwell Collins Pro Line 21
ESIS (Electronic Standby Instrument System)	Single	Meggitt Secondary Flight Display GH-3000
FMS (Flight Management System)	Dual	Rockwell Collins FMC-3000
IFIS (Integrated Flight Information System)	Single	Rockwell Collins IFIS-5000
EHSI (Electric Horizontal Situation Indicators)	Single	L-3 Communications EHSI-4000
GPS (Global Positioning System)	Single	Rockwell Collins GPS-4000S
WAAS (Wide Area Augmentation System)	Single	Rockwell Collins GPS-4000S
FGC (Flight Guidance Computer)	Single	Rockwell Collins FGC-3000
ADC (Air Data Computer)	Dual	Rockwell Collins ADC-3000
NAV (Navigation Radio)	Dual	Rockwell Collins NAV-4500
RIU (Radio Interface Units)	Dual	Rockwell Collins RIU-4110
DME (Distance Measuring Equipment)	Dual	Rockwell Collins DME-4000
AHRS (Altitude Heading Reference System)	Dual	Rockwell Collins AHC-3000
A/P (Autopilot)	Single	Dual Flight Director Computers and a Single 3-Axis Autopilot w/ Emergency Descent Mode
VHF COM (Very High Freq. Communication)	Dual	Rockwell Collins VHF-4000
HF COM (High Freq. Communications)	Single	Rockwell Collins HF-9000
RADAR	Single	Rockwell Collins RTA-852 Weather Radar
	Single	BF Goodrich Stormscope WX-1000E
RADAR ALT (Radar Altimeter)	Single	Rockwell Collins ALT-55B
XPNDR (Transponder)	Dual	Rockwell Collins TDR-94D with Mode S and Enhanced Surveillance
EGPWS (Enhanced Ground Proximity Warning System)	Single	Honeywell Mark V with Windshear and RAAS
TCAS II (Traffic Collision Avoidance System)	Single	Rockwell Collins TCAS 4000 with Change 7.1
CVR (Cockpit Voice Recorder)	Single	L-3 Communications FA-2100
ELT (Emergency Locator Transmitter)	Single	Artex C406-N Three (3) Frequency ELT with Navigation Interface
DBU (Data Base Unit)	Single	Rockwell Collins DBU-5000

CONNECTIVITY

IN FLIGHT PHONE	Aircell Axxess II Iridium Satcom
HIGH SPEED INTERNET / WI-FI	Aircell "Gogo" ATG-4000 with Talk and Text



ENTERTAINMENT

DISPLAY/TV MONITOR(S)	Single 10.4" LCD Monitor
AIRSHOW SYSTEM	Single Rosenview Cabin Display System

2010 Cessna Citation XLS+ S/N 560-6058

OTHER EQUIPMENT

ELECTRICAL OUTLETS Three (3) 115V Outlets

COCKPIT SUN VISORS



MAJOR INSPECTION STATUS

Inspection	Last Performed	Next Due
Document 1	11-Sep-2017	30-Sep-2018
Document 2	11-Sep-2017	30-Sep-2018
Document 8	29-Sep-2014	31-Aug-2018
Document 9	11-Sep-2017	30-Sep-2021
Document 10	29-Sep-2014	31-Aug-2018

NAVIGATION AND COMPLIANCE

RVSM Steep Approach



WEIGHT

GROSS WEIGHT (RAMP)	20,400 lbs
MAX ZERO FUEL WEIGHT	15,100 lbs
MAX TAKEOFF WEIGHT	20,200 lbs
EMPTY WEIGHT	12,415.80 lbs
MAX LANDING WEIGHT	18,700 lbs



INFO@JETCRAFT.COM +1 919 941 8400 JETCRAFT.COM

Specifications and/or descriptions are provided as introductory information only and do not constitute representations or warranties. Verification of specifications remain the sole responsibility of purchaser. Aircraft is subject to prior sale, lease, and/or removal from the market without prior notice.

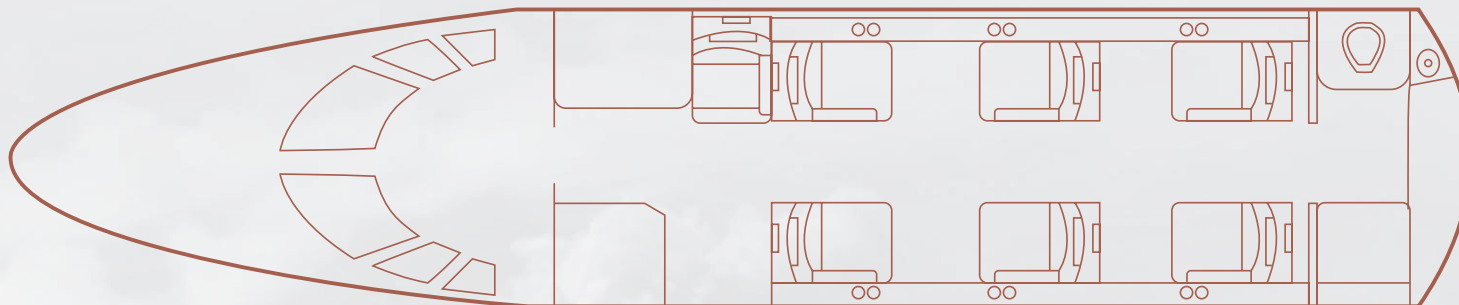
2010 Cessna Citation XLS+ S/N 560-6058

INTERIOR

	Description
NUMBER OF PASSENGERS	Eight (8)
GALLEY LOCATION	Forward
FORWARD CABIN CONFIGURATION	Single Right Hand Side Facing Seat
MID CABIN CONFIGURATION	Four-Place Club Arrangement with Full Size Pullout Table At Each Location
AFT CABIN CONFIGURATION	Forward Facing Dual Single-Place Club Seats with Pullout Half-Table
LAVATORY LOCATION(S)	Aft Lavatory Divided by a Solid Pocket Door. Opposite the Toilet is a Belted Fold-down Seat
OTHER NOTABLE FEATURES	Seats Reconditioned in September 2015
GALLEY EQUIPMENT	Storage for Hot and Cold Liquids and Dry Goods

EXTERIOR

BASE PAINT COLOR(S)	Snow White
STRIPE COLOR(S)	Starlight Silver, Gold Metallic, Sable Effect
LAST PAINTED DATE	Original (September 2010)



2010 Cessna Citation XLS+ s/N 560-6058



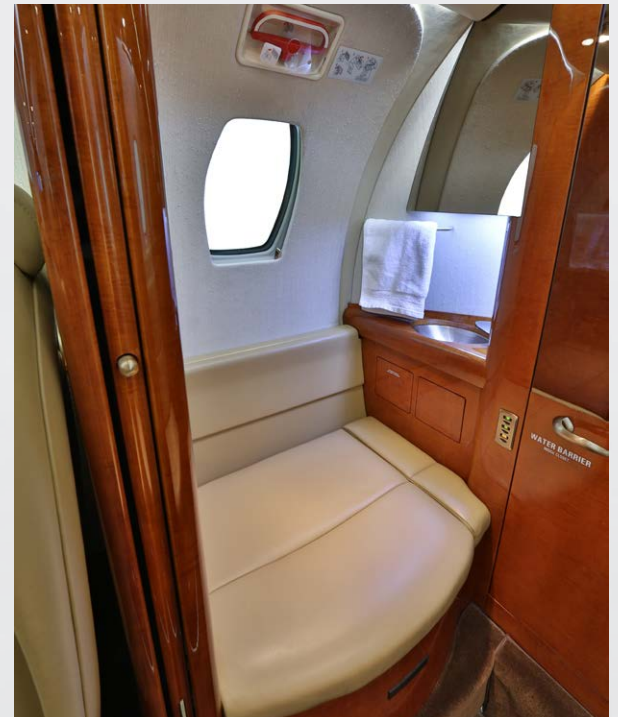
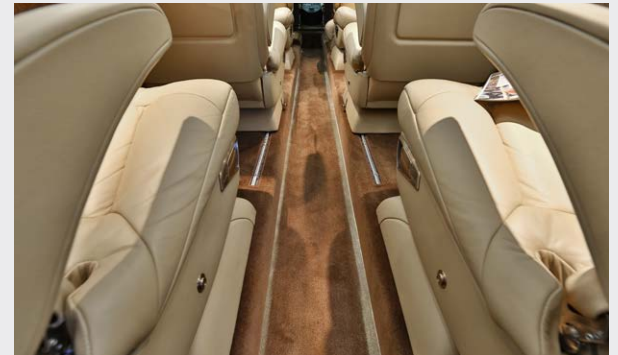
2010 Cessna Citation XLS+ s/N 560-6058



2010 Cessna Citation XLS+ s/N 560-6058



2010 Cessna Citation XLS+ s/N 560-6058



2010 Cessna Citation XLS+ s/N 560-6058



2010 Cessna Citation XLS+ S/N 560-6058



