



2016 PILATUS PC-12/47E S/N 1643



# 2016 PILATUS PC-12/47E S/N 1643

## HIGHLIGHTS

### LOW HOURS



### ONE OWNER SINCE NEW



### ELITE WORLD PACKAGE



### ADS-B OUT



### 5 BLADE HARTZEL PROPELLER HC-E5A-3A

## AIRFRAME

TOTAL TIME SINCE NEW	690 Hours (as of January 2021)
TOTAL LANDINGS SINCE NEW	641 Landings
ENTRY INTO SERVICE DATE	31 July 2016
HOME BASE	Windhoek, Namibia
MAINTENANCE TRACKING	CAMP



## ENGINE & PROPELLER

	Left Engine	Right Engine
DESCRIPTION	Pratt & Whitney PT6A-67P HC-E5A-3A - 5 Blade	
SERIAL NUMBER	PCE-RY0689	SA18
TOTAL HOURS SINCE NEW	690 Hours	883 Hours
TOTAL CYCLES SINCE NEW	596 Cycles	
HOT SECTION INSPECTION	1,750 Hours	-
OVERHAUL DUE	3,500 Hours	Dec 2021

## 2016 PILATUS PC-12/47E S/N 1643

### AVIONICS

Type of Unit	Quantity	Description
PFD (Primary Flight Display)	Dual	KDU 1080 Display
MFD (Multi-Function Display)	Dual	KDU 1080 Display
PFDC (Primary Flight Display Controller)	Dual	KMC 2210
MFDC (Multi-Function Display Controller)	Single	KMC 2220
ESIS (Electronic Standby Instrument System)	Single	L3 Harris ESI 1000
AHRS (Attitude Heading Reference System)	Single	KSG 7200 Dual Channel
GPS (Global Positioning System)	Dual	KGS 200 w/SBAS
DME (Distance Measuring Equipment)	Single	KN 63
VHF COM (Very High Freq. Communications)	Dual	KTR 2280
RADAR ALT (Radar Altimeter)	Single	KRA-405B
Stormscope (Weather Mapping)	Single	WX 500
XPNDR (Transponder)	Dual	KXP 2290 Mode S
TCAS (Traffic Collision Avoidance System)	Single	KMH 920

### MAJOR INSPECTION STATUS

Inspection	Last performed	Next due
300 HOUR INSPECTION	Sep - 2020 at 646 Hours	946 Hours
600 HOUR INSPECTION	Sep - 2020 at 646 Hours	1,246 Hours
ENGINE MINOR INSPECTION	Sep - 2020 at 646 Hours	946 Hours

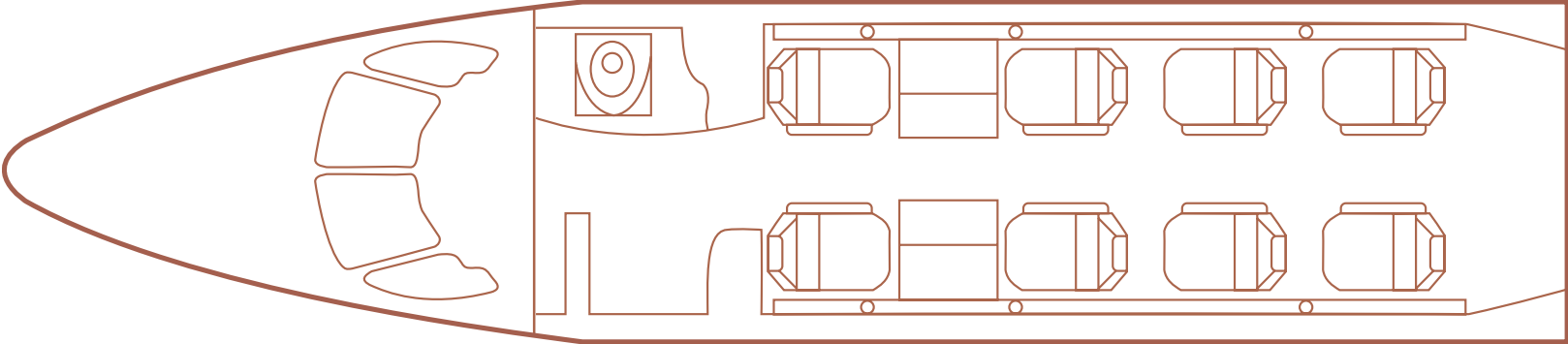
# 2016 PILATUS PC-12/47E S/N 1643

## INTERIOR

	Description
NUMBER OF PASSENGERS	Eight (8)
FORWARD CABIN CONFIGURATION	Four (4) Club Seats with Fold Out Tables
AFT CABIN CONFIGURATION	Two (2) Executive Seats and Two (2) Standard Seats
LAVATORY LOCATION	Forward
REFRESHMENT CENTER	Forward Cabinets
LAST REFURBISHMENT DATE	2016 - Original Completion

## EXTERIOR

BASE PAINT COLOR(S)	White
STRIPE COLORS	Red & Blue
LAST PAINTED DATE	2016 - Original Completion



2016 PILATUS PC-12/47E S/N 1643



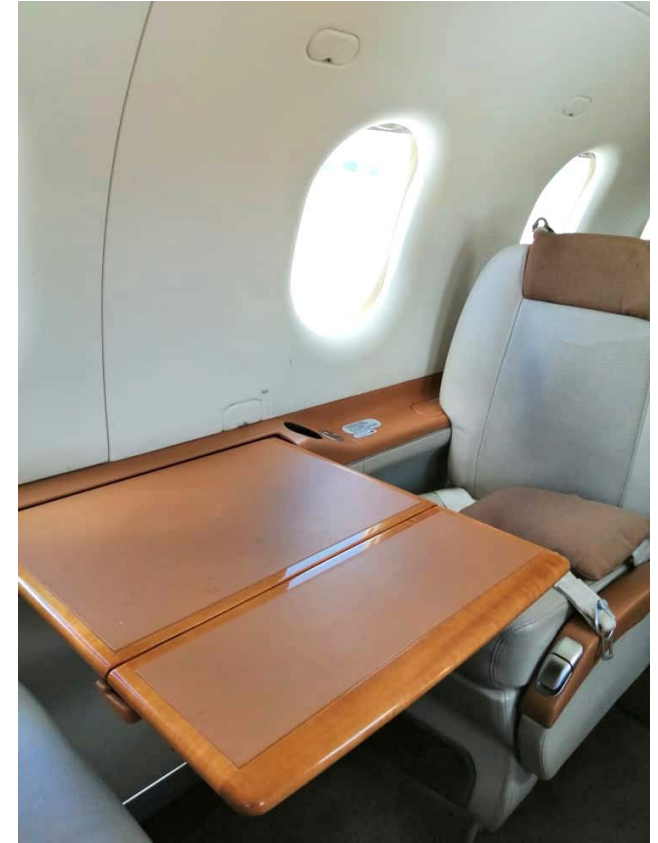
2016 PILATUS PC-12/47E S/N 1643



2016 PILATUS PC-12/47E S/N 1643



2016 PILATUS PC-12/47E S/N 1643





2016 PILATUS PC-12/47E S/N 1643



2016 PILATUS PC-12/47E S/N 1643



## 2016 PILATUS PC-12/47E S/N 1643



